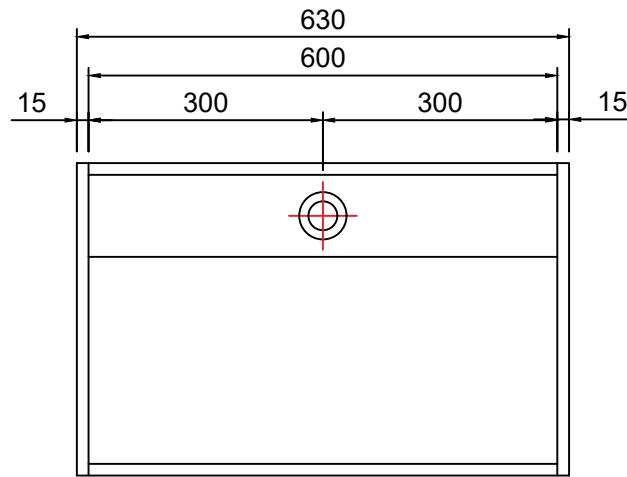
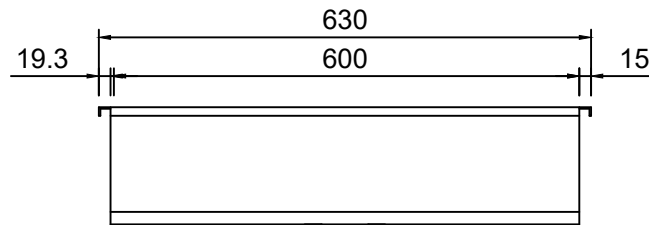


제품명 :

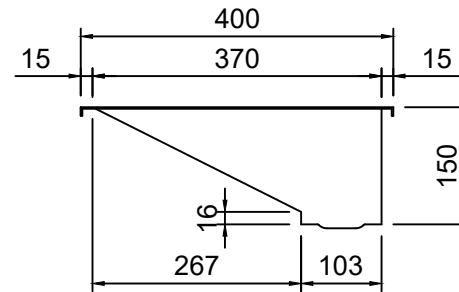
MEMO.



FRONT VIEW



TOP VIEW



SIDE VIEW

NO	DATE	DESCRIPTION
----	------	-------------

ISSUES & REVISION

APPROVED BY. (승인)		
CHECKED BY. (검토)		
CHECKED BY. (검토)		
CHECKED BY. (검토)		
DRAWN BY. (작)		
성) DATE. (날)		
씨) SCALE. (축)		
척) SHEET NO. (도면매수 번호)		
DRAWING NO. (도면번호)		