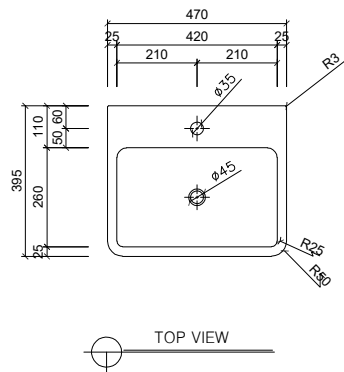
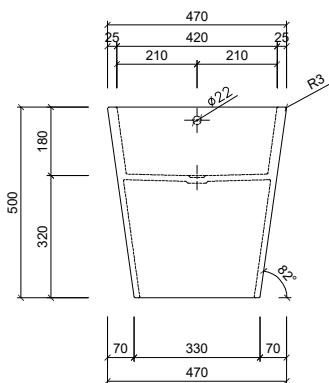


제 품 명 : BW7028

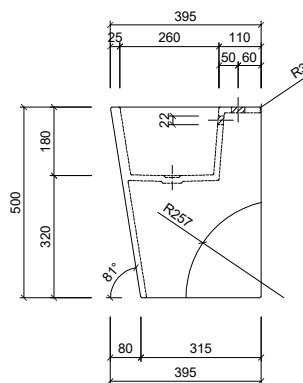
MEMO.



TOP VIEW



FRONT VIEW



SIDE VIEW

NO	DATE	DESCRIPTION
----	------	-------------

ISSUES & REVISION

APPROVED BY. (승인)		
CHECKED BY. (검토)		
CHECKED BY. (검토)		
CHECKED BY. (검토)		
DRAWN BY. (작성)		
DATE. (날짜)		
SCALE. (축척)		
SHEET NO. (도면매수 번호)		
DRAWING NO. (도면번호)		